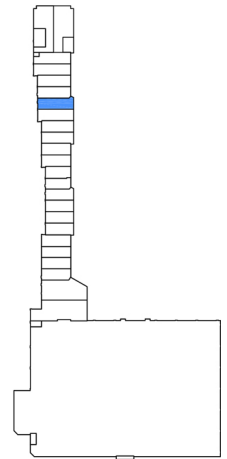
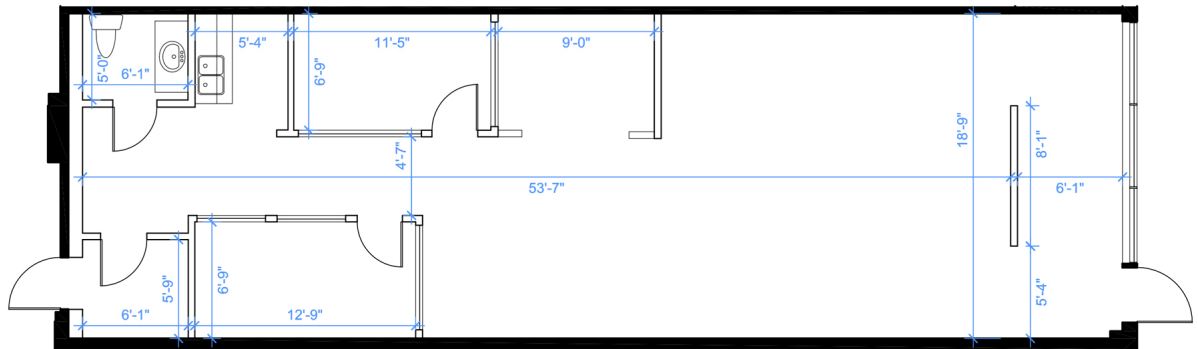


Retail - Floor Plan



KEY PLAN



UNIT 8
RENTABLE AREA = 1,228 SF
RENTABLE AREA PROVIDED BY METRUS

LOCATION:

16635 Yonge St.
Town of Newmarket
North-east corner of Yonge St. & Mulock Dr.



FOR MORE INFORMATION, PLEASE CONTACT:

Antoinette Grossi
Vice President Leasing

905.669.9714
agrossi@metrusproperties.com